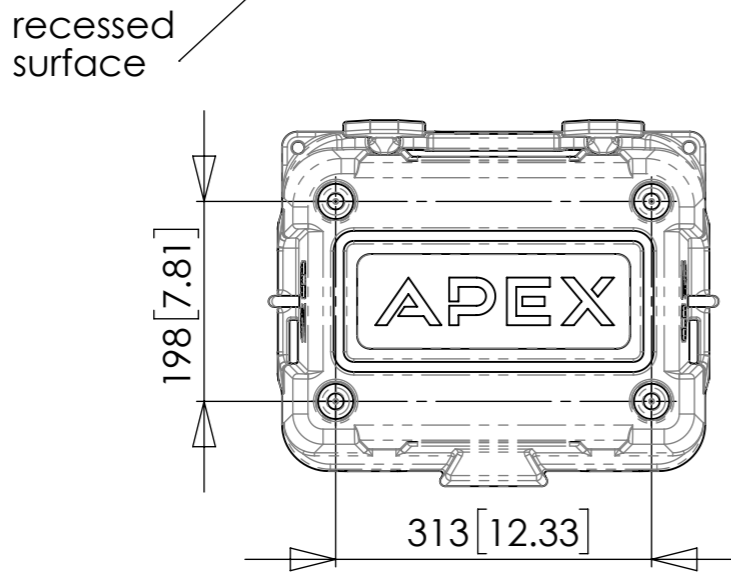
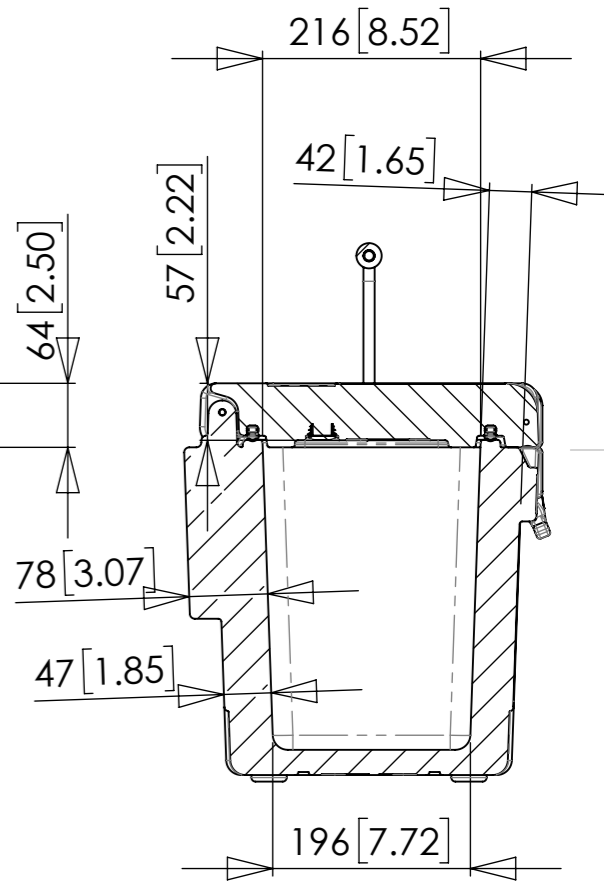
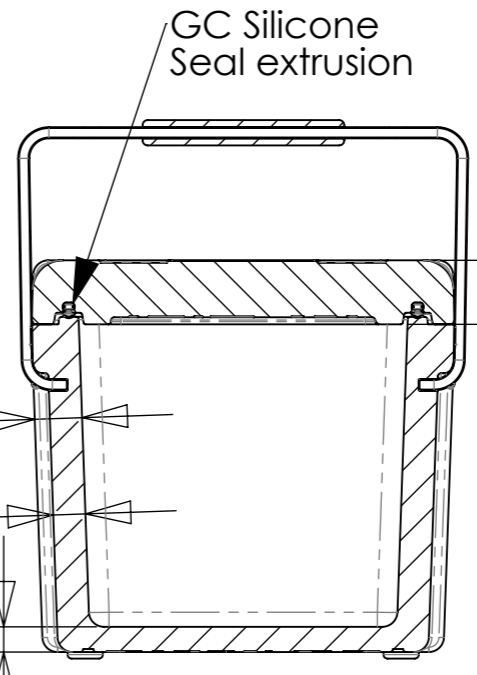
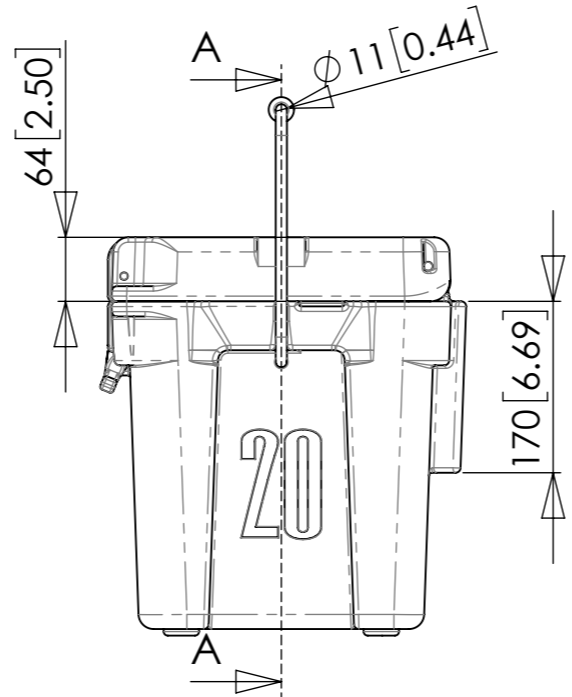
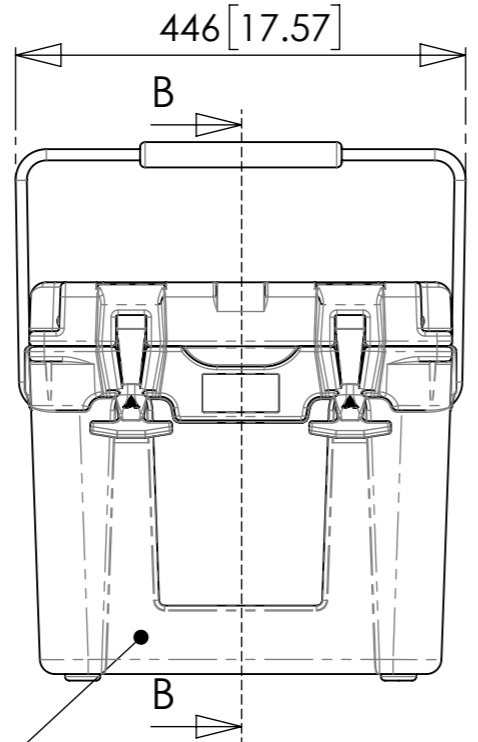
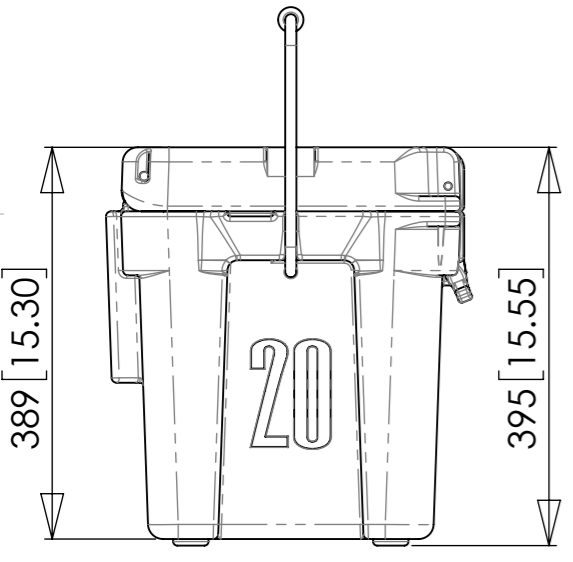
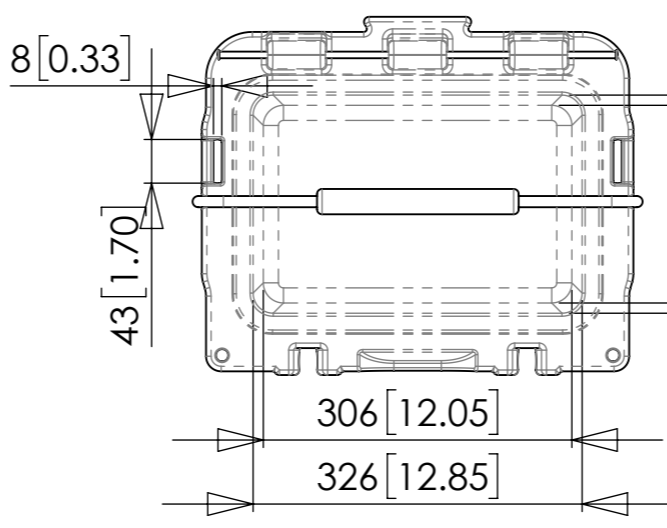
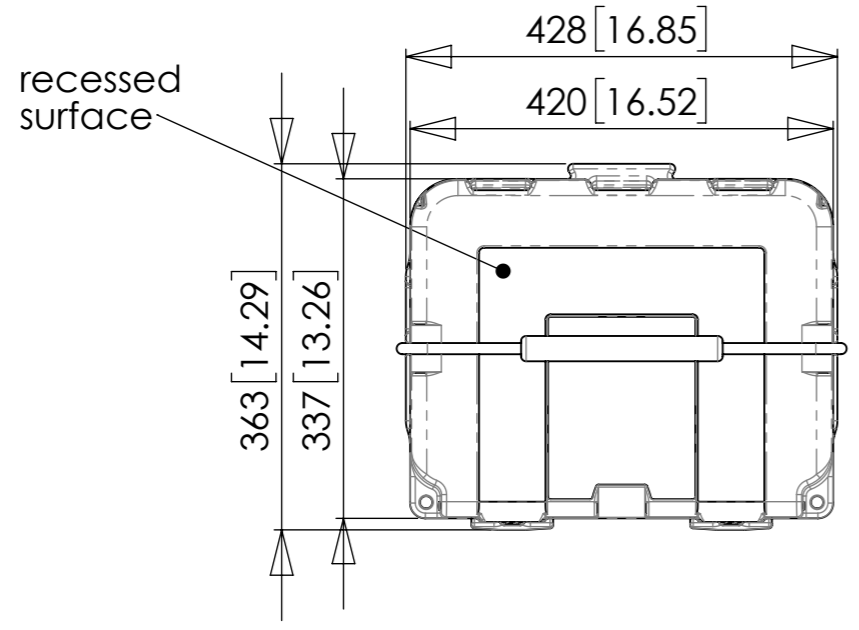
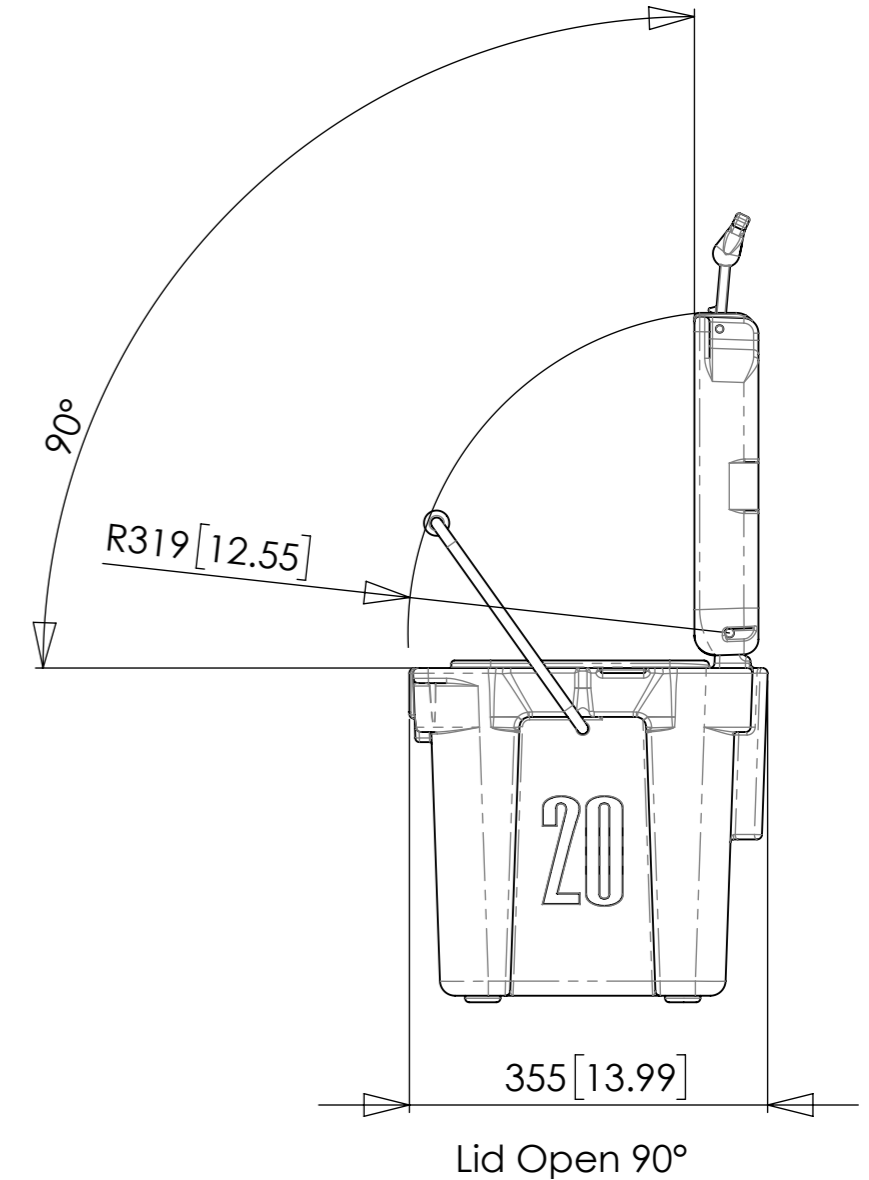
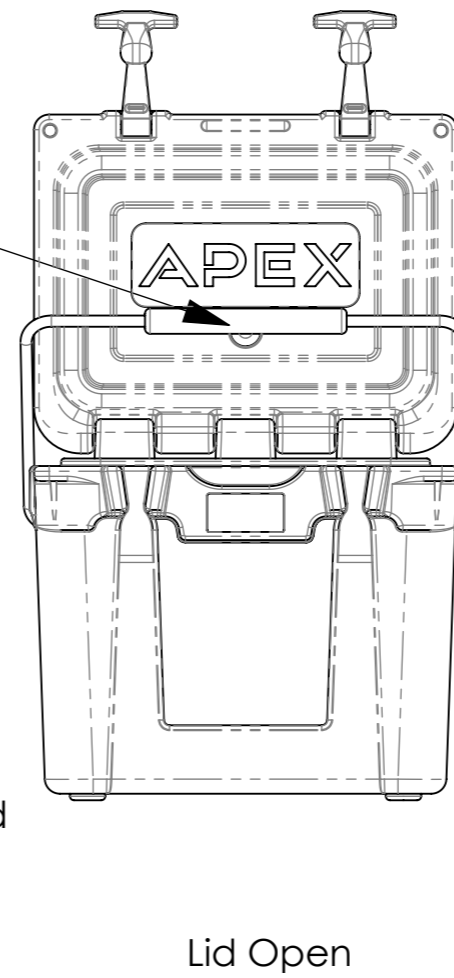
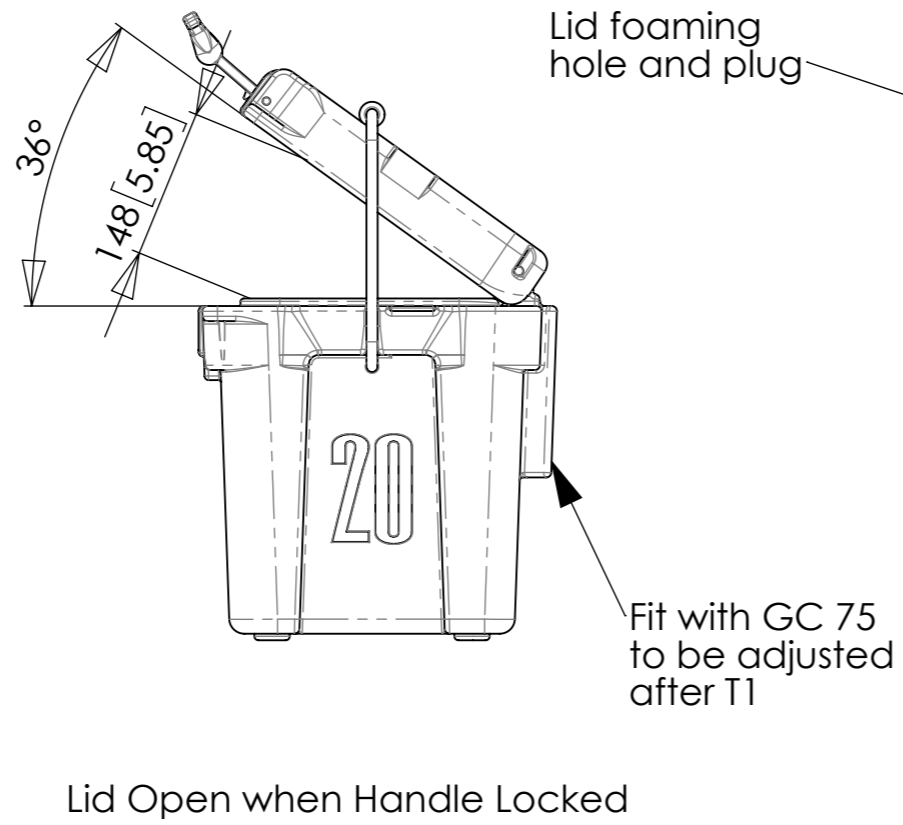
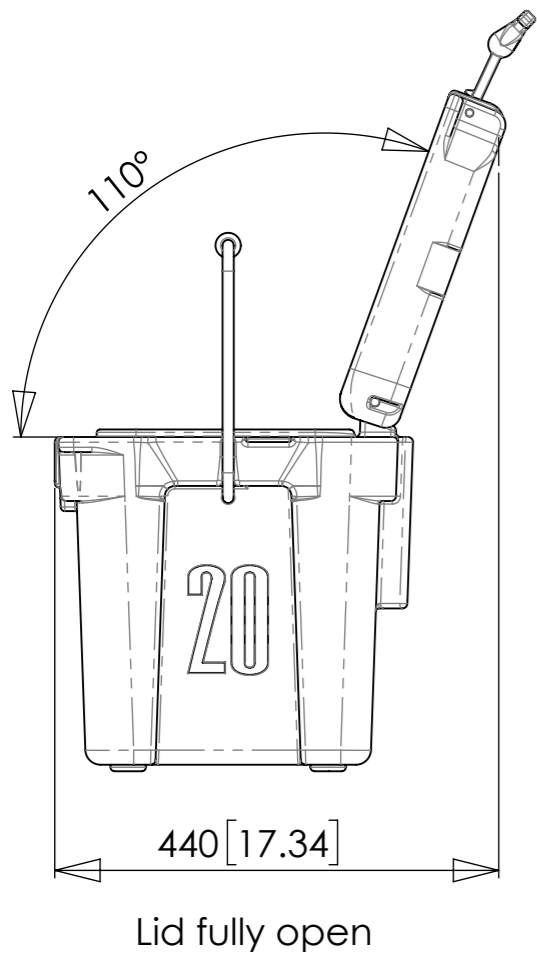


ZONE	REV.	DESCRIPTION	DATE	APPROVED
	A	Tooling Issue	26-7-18	EHS



UNLESS OTHERWISE SPECIFIED: DIMENSIONS ARE IN MILLIMETERS SURFACE FINISH: Technical polish TOLERANCES: LINEAR: ± 0.2 mm ANGULAR: ± 0.5°		FINISH: High Polish	NO SHARP EDGES OR CORNERS	DO NOT SCALE DRAWING	REVISION A
DRAWN: Manny		SIGNATURE	DATE	TITLE: ai engineering pty. ltd.	
CHK'D				APEX 20 Assembly	
APPV'D				DWG NO. 19.3 litre / 20.4 US fl. qt.	
MFG			COLOUR:	SCALE: 1:7.5	
Q.A			MATERIAL:	SHEET 1 OF 2	
			WEIGHT: 27110.77 gr.	A3	



UNLESS OTHERWISE SPECIFIED: DIMENSIONS ARE IN MILLIMETERS SURFACE FINISH: Technical polish TOLERANCES: LINEAR: ± 0.2 mm ANGULAR: ± 0.5°				FINISH:		NO SHARP EDGES OR CORNERS		DO NOT SCALE DRAWING		REVISION A	
DRAWN: Manny								TITLE: GC 20 Assembly			
CHK'D:								DWG NO. Fully Open			
APPV'D:								SCALE: 1:7.5			
MFG:								SHEET 2 OF 2			
Q.A:								WEIGHT: 27110.77 gr.			
								A3			